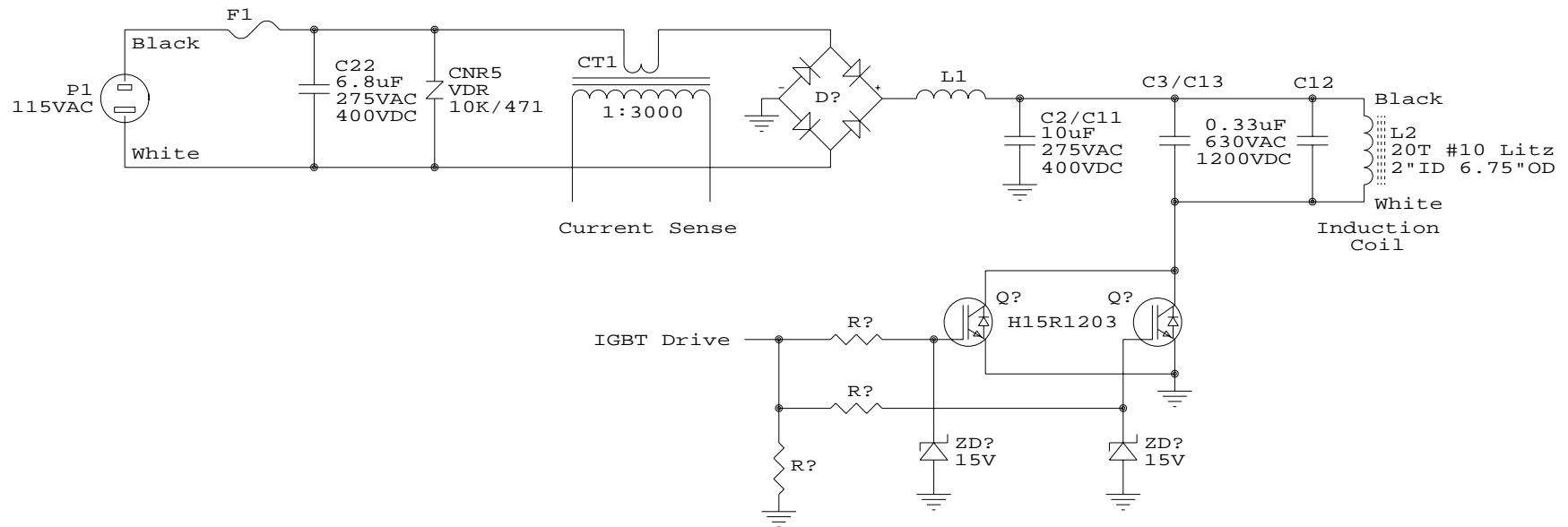


Duxtop 9600LS / DT-200DZ Induction Cooker Power PCB



1. Some Part Numbers and Values Gussed.
2. Only power circuits so far. :-)

Samuel M. Goldwasser		
RepairFAQ.Org		
Title		
Duxtop 9600LS / BT-200DZ Power PCB		
Size	Document Number	REV
A	DUXTOP1	1.0
Date:	April 3, 2023	Sheet 1 of 1